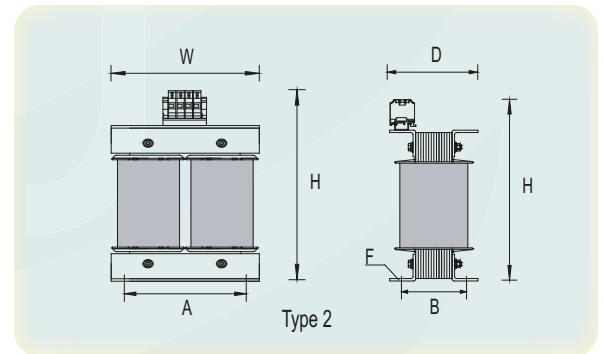
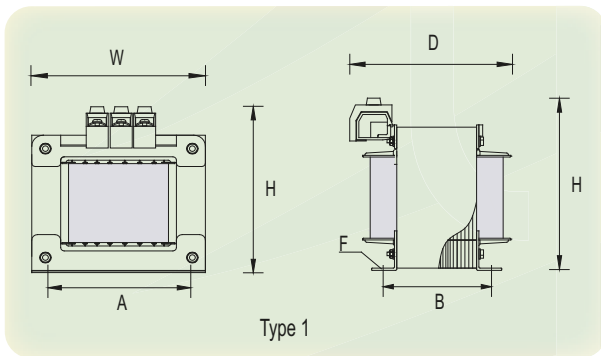
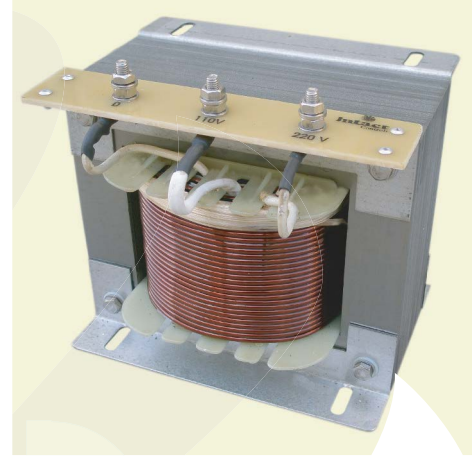


# Impregnated Single Phase Auto Transformers - IP00-

## Specifications

- Standard : According to EN61558-
- Open construction, Degree of protection IP00-
- Winding : Enamelled copper wire Class F, B, H Galvanically isolated
- Temperature class insulating materials : B
- Insulation class : F
- Max. ambient temperature : 25°C to 50°C
- Electrical protection class : I
- Max. temperature rise : 95°C
- Frequency : 50Hz, 60Hz, 60/50Hz
- Fixing system : Through angles DIN 41307
- Type : Dry type, Vacuum impregnation
- Terminals : Screw type connector for Type 1, screw type terminal block for Type 2 and terminals are protected against corrosion



Standard Voltages :									No-Load Losses	Short-circuit voltage	Efficiency
Primary : 690-660-600-500-480-460-440-415-400-380-320-280-250-240-230-220-208-200-120-110-100V											
Secondary : 690-660-600-500-480-440-415-400-380-277-240-230-220-208-120-110-48-24-12V									W	%	%
Model. No.	Power (KVA)	Overall Dimensions (mm)						Total Wt. Kg.			
		(H)	(W)	(D)	(A)	(B)	(F)				
AT-50*	0.05	77	75	88.2	250	110	5x9	1.2	6	**	85
AT-100*	0.1	82	84	88	325	61	5x10	2.0	7	**	87
AT-300*	0.3	107	120	109	375	75	6x12	5.0	10	**	92
AT-500*	0.5	112	120	97	80	91	6.5x11	4.4	16	**	93
AT-1K*	1.0	112	120	115	80	91	6.5x11	6.0	35	**	94
AT-2K*	2.0	132	150	119	130	100	7x13	10.4	51	**	97
AT-3K*	3.0	177	180	167	130	110	8x20	16.4	28	**	97
AT-5K	5.0	198	192	177	140	120	8x20	21.0	46	**	97
AT-10K	10	245	240	210	180	140	10x30	38.2	82	**	98
AT-15K	15	245	240	235	180	160	10x30	46.8	182	**	98
AT-20K	20	295	300	305	260	200	10x30	64.0	147	**	98
AT-30K	30	250	300	365	260	230	10x30	72.2	188	**	98
AT-50K	50	320	360	380	325	230	12x25	148.4	212	**	97

Note : Tolerance on the given dimension ± 2mm ; \* Type 1 ; \*\* Depending on the voltage ratio.